


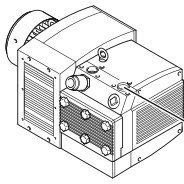







BETRIEBSANLEITUNG
OPERATING INSTRUCTIONS
INSTRUCTIONS DE SERVICE
ISTRUZIONI D'USO
HANDLEIDING
INSTRUCCIONES PARA EL MANEJO
MANUAL DE INSTRUÇÕES
NAUDOJIMOSI INSTRUKCIJA
KASUTUSJUHEND
LIETOŠANAS INSTRUKCIJA
DRIFTSINSTRUKS
DRIFTSINSTRUKTIONER
DRIFTSVEJLEDNING
INSTRUKCJA OBSŁUGI

KEZELÉSI ÚTMUTATÓ
NÁVOD K OBSLUZE
NAVODILO ZA UPORABO
NÁVOD NA OBSLUHU
UPUTE ZA RAD
MANUAL DE OPERATII
TREORACHA OIBRIÚCHÁIN
ΟΔΗΓΙΕΣ ΧΡΗΣΗΣ
EL KITABI
ИНСТРУКЦИИ ЗА ЕКСПЛОАТАЦИЯ
ИНСТРУКЦИЯ ПО ЕКСПЛОАТАЦИИ
取扱説明書
사용설명서
使用说明书



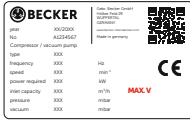
KDT 3.140


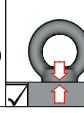


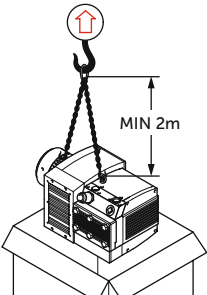
MAKE IT BECKER.





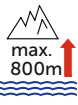
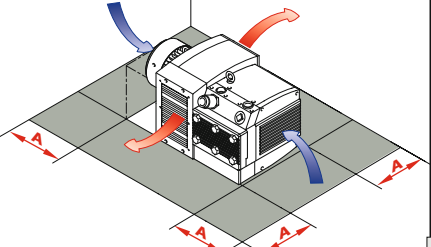
 	
	
 <p>AIR</p>	 
	 

1


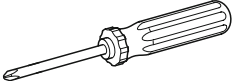

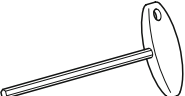

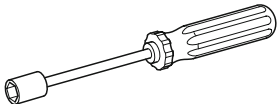
<p>MAX. PRESSURE</p>  <p>MAX.</p>		<p>mbar</p>
		<p>m³/h</p>
<p>L_{pA})))</p> <p>DIN EN ISO 11203 Accuracy Class 2 K_{son} = 3 dB(A) l ← 1m</p>	<p>L_{pA} = 82 dB(A) - 50Hz L_{pA} = 84 dB(A) - 60Hz</p>	<p>2</p>

			 <p>136-140 kg 300-309 lbs</p>
 <p>MIN 2m</p>			

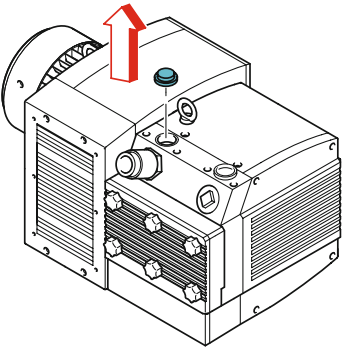
3

<p>A > 100mm A > 4"</p>	 <p>> 5°C/41°F < 45°C/113°F</p>	 <p>max. 90%</p>	 <p>max. 800m</p>
			

4

 <p>No. 2</p>	
 <p>5 mm</p>	
 <p>7 mm 10 mm</p>	

5



6

MOTOR-PROTECTION
=

(CF LXX)	
50Hz	60Hz
XXX / XXX V	XXX / XXX V
XXX / XXX A	XXX / XXX A

SERVICE FACTOR
X
RATED CURRENT

7

GENERAL

¹⁾ motor protection switch

ADDITIONAL ≥ 5.5 kW

RECOMMENDATION

A
Softstart

B

OPTIONAL

ON (I) - MAX 10x/h

OFF (0) -

OPTIONAL

PTC

Bi-metal

8

9

10

PRESSURE

11

BECKER		Color: Becker GmbH Indus. Park 20 49193 STALDE GERMANY www.becker.com Make us your partner		
year	XXX/20XX			
no.	A1234567			
Compressor / vacuum pump	type	XXX		
type	frequency	XXX	Hz	
speed	power required	XXX	kW	
inlet capacity	pressure	XXX	mbar	
vacuum	material	XXX	mbar	

12

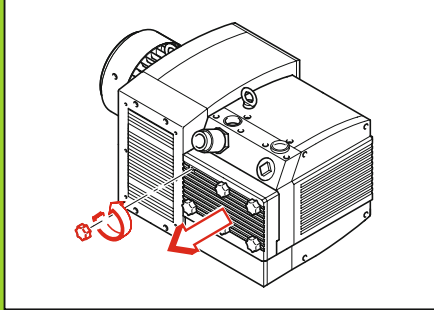
Maintenance



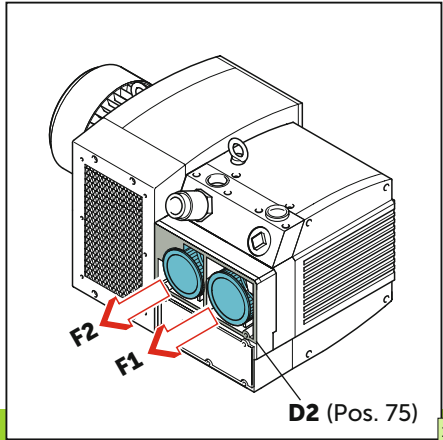
13

14

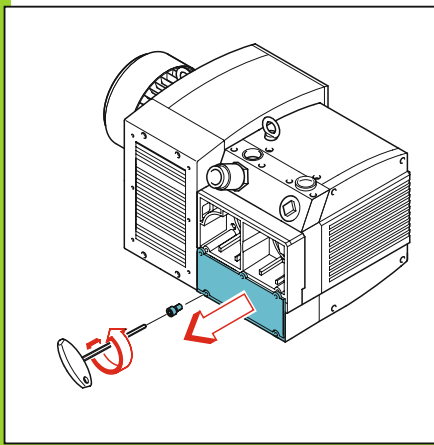
<p>CLEANING INTERVAL</p>	<p>SUCTION AIR</p>	<p>40h</p> <p>↕</p> <p>200h</p> <p>EN149 - FFP3 42 CFR 84 - N100</p>
---------------------------------	--------------------	--



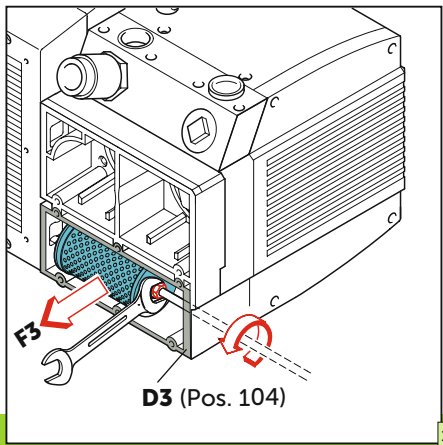
15



16



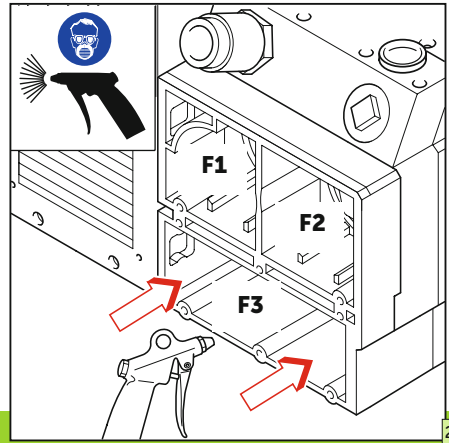
17



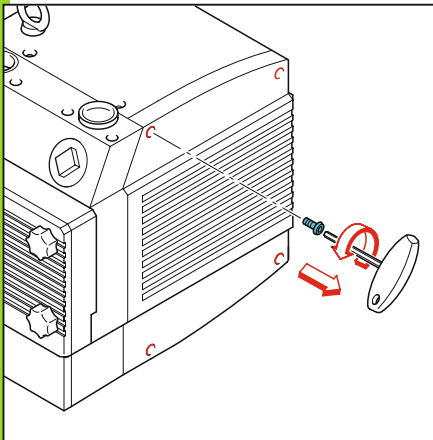
18

<p>F1 = F2 (standard)</p> <p>No.: 909507</p>	<p>F2* (polyester) KDT 3.140/6</p> <p>No.: 909587</p>	<p>F3 (standard)</p> <p>No.: 909514</p>
	<p>Satz / Kit</p> <p>Pos.: 17, 20, 24, 62, 75, 76, 85, 86, 104, 122, 125, 126, 146</p> <p>No.: 549000 21300</p>	

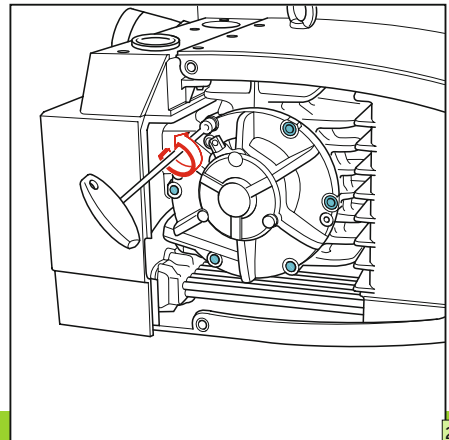
19



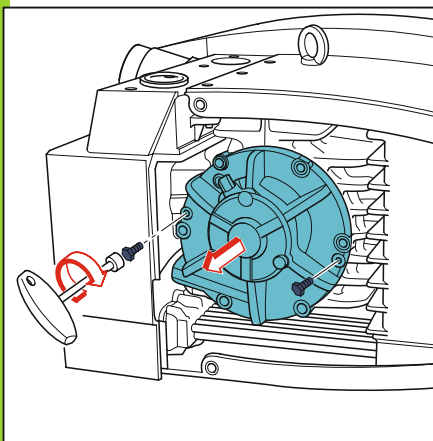
20



21



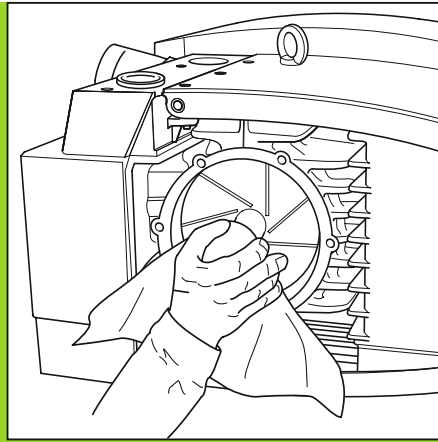
22



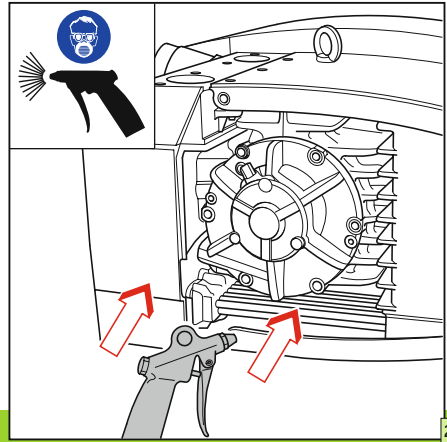
23

<p>3000 h</p>	
	<p>$A_{MAX} = 48mm$</p> <p>$A_{MIN} = 31mm$</p> <p>$A_{FIL} < 31mm$ </p>
<p>KDT 3.140 (standard) → No. 90133400004 (SET)</p> <p>KDT 3.140/0-52 → No. 90138100004 (SET)</p> <p>KDT 3.140/6 → " " "</p> <p>KDT 3.140/6-29 → No. 90138100007 (SET)</p> <p>KDT 3.140/6-71 → " " "</p> <p>KDT 3.140/6-71 HD → No. 90138500007 (SET)</p>	

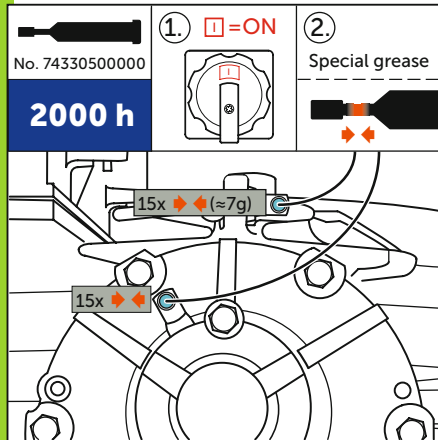
24



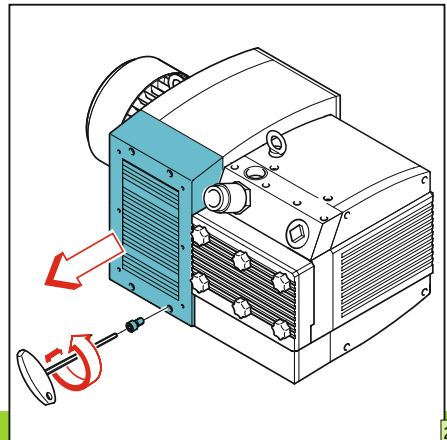
25



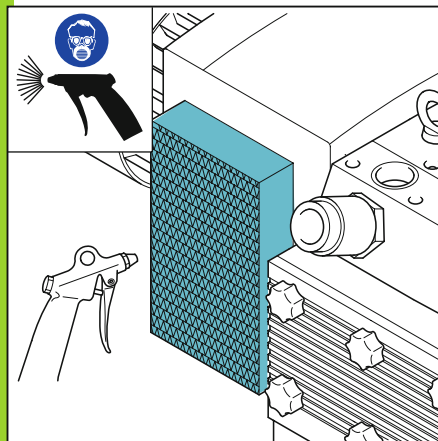
26



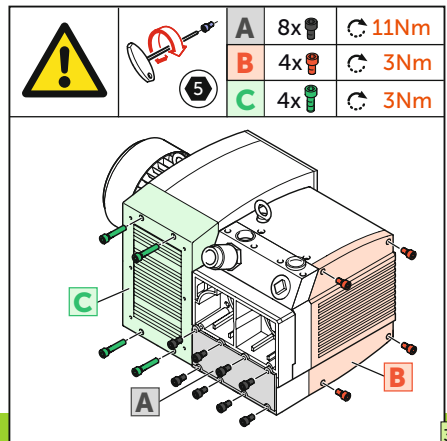
27



28



29



30



The illustration shows a person wearing a hard hat and safety glasses, holding a magnifying glass over a document. The document has a large question mark on the left and an information icon (a lowercase 'i' in a blue circle with a plus sign) on the right. In the background, there are several sheets of paper, one of which displays various safety symbols. A globe is positioned at the bottom left, with lines connecting it to the question mark and the information icon. The website address www.becker-international.com is written at the bottom of the illustration.

www.becker-international.com



WWW.BECKER-INTERNATIONAL-SHOP.COM

Gebr. Becker GmbH
Hoelker Feld 29-31
42279 WUPPERTAL
GERMANY
info@becker-international.com
www.becker-international.com





MAKE IT BECKER.

28100021501 | 2020-12-14 | All rights reserved